

# Energy supply

**Rivolta** special products



# Content

|                    |    |
|--------------------|----|
| About us           | 4  |
| Steam generation   | 7  |
| Hydropower         | 12 |
| Wind power         | 16 |
| Solar power        | 20 |
| Power generation   | 24 |
| Power grid         | 28 |
| Packaging overview | 32 |



# Knowledge – that is needed Development – to provides safety

Safe operational processes combined with environmental protection, productivity and maximum output are the measure of all things in all power plants.

The products of Bremer & Leguil can help you boost your output because our products guarantee a high level of operational reliability and long greasing intervals. That often means you can drive down the time and effort spent on maintenance by using synthetic products. What's more, this also means minimising your assortment, which saves you money in terms of operating resources. But, we always keep the environment in mind. This is why we offer biologically degradable lubricants and cleaners for ecologically sensitive zones.

# Service – Expert on Site Service

Service is the most important element for Bremer & Leguil. That's why we make a team of specialists available throughout the country.

Bremer & Leguil offers you qualified consultation and a comprehensive assortment of products. Service is a key classification feature which is why we are represented throughout the country by a team of specialists in 40 cities and regions.

For instance, we are on hand to answer your questions on lubricants, corrosion protection and cleaners with our team from the applications technology department - or we would also be glad to work out custom-made strategies in collaboration with you.

# Safety and value retention - sustainable and innovative

Occupational safety, environmental protection, performance and value retention go hand in hand for us. With our lubricants, cleaners and corrosion protection agents, you can rely on the best performance for your application - thanks to our broad portfolio of NSF-registered and biodegradable products, even in sensitive areas.

For over 55 years, Bremer & Leguil has been able to meet almost all the challenges that arise in technical tasks in industry, energy supply and many other areas.

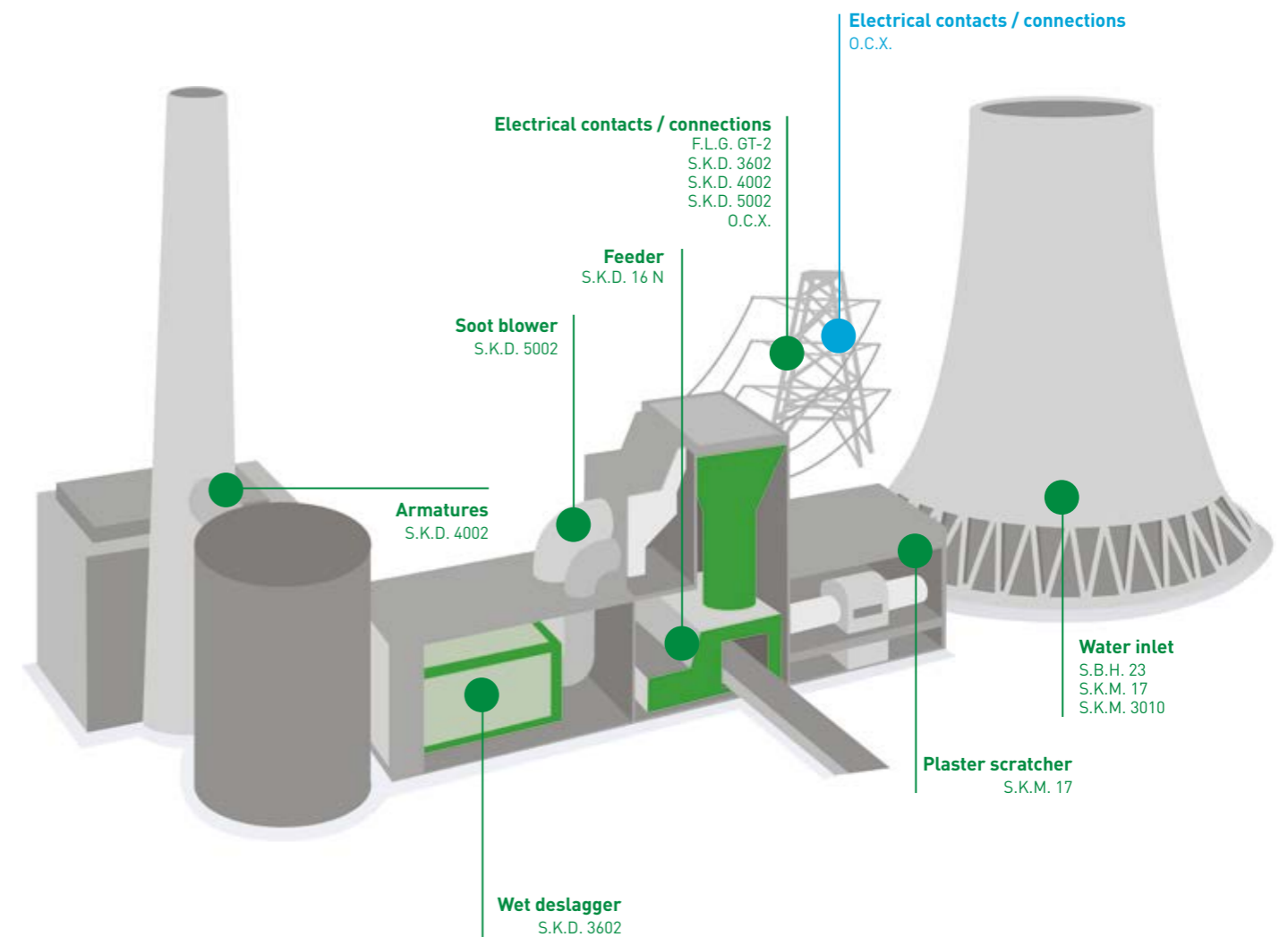
We only use selected raw materials. These serve to reduce the use of hazardous substance labelling and increase safety for the user and the environment.





# Typical product applications

This diagram only shows a simplified product overview. Further products can be found on the following pages. Please contact us directly to find the right product for your specific application.



## Steam generation

We offer a wide range of products that can be used at different operating points and help to reduce the number of variants for the optimum operation of fuel-fired power plants. For example, the use of Rivolta S.K.D. 4002 in a waste-to-energy plant has reduced the number of different lubricants from many, to just a few speciality lubricants.

### General cleaning applications:

**Electro cleaning**  
O.C.X.  
S.L.X. 500  
S.L.X. Top

**Rapid degreasing**  
S.U.W. Spray

**General surface cleaning**  
B.W.K. / B.W.K. Tücher Set  
B.W.S. / B.W.S. Tücher Set  
B.W.X.

## Lubricating greases

Rivolta®-greases are high-performance synthetic lubricants from a combination of high-quality basic oils in connection with a high-performance additive package. That gives our products a performance range that is head and shoulders above traditional greases.

| Product            | Features   | Application areas  |
|--------------------|--|--|
| <b>F.L.G. GT-2</b> | <ul style="list-style-type: none"> <li>• excellent corrosion protection on silver and aluminium contacts</li> <li>• good plastic compatibility</li> <li>• ageing- and oxidation-resistant</li> </ul>       | <ul style="list-style-type: none"> <li>• general lubrication of electrical switches and contacts</li> </ul>  |
| <b>G.W.F.</b>      | <ul style="list-style-type: none"> <li>• contains solids</li> <li>• prevents jamming</li> <li>• prevents frictional corrosion</li> </ul>   | <ul style="list-style-type: none"> <li>• assembly and disassembly aid for metal-mechanical connections</li> <li>• universal assembly paste</li> <li>• screws in hot zones</li> </ul>   |
| <b>S.K.D. 3602</b> | <ul style="list-style-type: none"> <li>• extremely compression-proof</li> <li>• free of solids</li> <li>• water resistant</li> <li>• adherent</li> <li>• ageing- and oxidation-resistant</li> </ul>        | <ul style="list-style-type: none"> <li>• wet deslagging bearings</li> <li>• bearings, bolts and joints in wet and exterior areas</li> <li>• contact grease for outside electrical contacts</li> </ul>  |
| <b>S.K.D. 4002</b> | <ul style="list-style-type: none"> <li>• temperature application range -50 °C to +210 °C</li> <li>• ageing- and oxidation-resistant</li> <li>• no cracking</li> <li>• good corrosion protection</li> </ul> | <ul style="list-style-type: none"> <li>• armature lubrication / thermally charged armatures</li> <li>• roller and plain bearing lubrication</li> <li>• general lubrication</li> <li>• contact grease for inside electrical contacts</li> </ul> |
| <b>S.K.D. 5002</b> | <ul style="list-style-type: none"> <li>• temperature application range to +260 °C</li> <li>• resistant to water, hot steam, acids and lyes</li> </ul>  | <ul style="list-style-type: none"> <li>• soot blower lubrication</li> <li>• high-temperature applications</li> <li>• armature lubrication</li> <li>• radiation-resistant</li> </ul>  |
| <b>W.A.P.</b>      | <ul style="list-style-type: none"> <li>• contains solid lubricants</li> <li>• pressure resistant</li> <li>• moisture resistant</li> </ul>  | <ul style="list-style-type: none"> <li>• spindle lubrication</li> <li>• adjusting drives</li> <li>• screws in wet zones</li> </ul>   |

## Lubricating oils

Rivolta®-oils are high-performance totally synthetic lubricants from a combination of high-quality basic oils in connection with a high-performance additive package. That gives our products a performance range that is head and shoulders above traditional oils.

| Product                   | Features  | Application areas   |
|---------------------------|---|---|
| <b>S.B.H. 23</b>          | <ul style="list-style-type: none"> <li>• not hazardous to water</li> <li>• biologically degradable</li> <li>• very resistant to oxidation</li> <li>• ISO VG 46</li> </ul> | <ul style="list-style-type: none"> <li>• bearings, gears, bolts, steering racks and lifting spindles in inside or outside wet areas</li> <li>• hydraulic systems in areas sensitive to the environment</li> </ul> |
| <b>S.I.L. Spray</b>       | <ul style="list-style-type: none"> <li>• silicon spray</li> <li>• maintains and protects</li> <li>• heat- and cold-resistant</li> <li>• water repellent</li> </ul>        | <ul style="list-style-type: none"> <li>• for general care of gliding pairs of metal-plastic, plastic-plastic and rubber-rubber</li> </ul>   |
| <b>S.K.D. 16 N</b>        | <ul style="list-style-type: none"> <li>• rust dissolving</li> <li>• reduces wear and tear</li> <li>• cleansing</li> </ul>   | <ul style="list-style-type: none"> <li>• inside chain lubrication such as chain conveyors</li> <li>• loosens stiff and rigid chains</li> <li>• inside cable lubrication</li> </ul>                                |
| <b>S.K.M. 17</b>          | <ul style="list-style-type: none"> <li>• biologically degradable</li> <li>• not hazardous to water</li> <li>• prevents corrosion</li> </ul>                               | <ul style="list-style-type: none"> <li>• inside chain/cable lubrication in dust areas and ecologically sensitive zones</li> </ul>   |
| <b>S.K.M. 41</b>          | <ul style="list-style-type: none"> <li>• biologically degradable</li> <li>• not hazardous to water</li> <li>• ageing- and oxidation-resistant</li> </ul>                  | <ul style="list-style-type: none"> <li>• gear lubrication in areas sensitive to the environment</li> </ul>  |
| <b>S.K.M. 3010 Spray*</b> | <ul style="list-style-type: none"> <li>• biologically degradable</li> <li>• extremely adhering</li> <li>• water repellent</li> </ul>                                      | <ul style="list-style-type: none"> <li>• outside chain/cable lubrication, even in areas sensitive to the environment</li> </ul>   |
| <b>T.R.S. Plus</b>        | <ul style="list-style-type: none"> <li>• rust dissolving</li> <li>• high level of creepability</li> </ul>   | <ul style="list-style-type: none"> <li>• general maintenance</li> <li>• loosens fixed component parts</li> </ul>  |

\* S.K.D. 3000 can also be used as an alternative. Please get in contact with us directly for your specific application.



## Cleaner

Rivolta®-cleaners are special state-of-the-art products based on aqueous components and/or those containing hydrocarbons. Their hallmark is formidable cleaning performance and a high level of economic efficiency in their area of application. Using them spells out occupational safety and maximum environmental protection.

| Product                            | Features  | Application areas   |
|------------------------------------|---|---|
| <b>A.C.S. 3 Spray</b>              | <ul style="list-style-type: none"> <li>• very high cleaning power</li> <li>• residue-free and fast evaporation</li> </ul>   | <ul style="list-style-type: none"> <li>• cleaning and degreasing metallic surfaces in the entire workshop zone</li> <li>• loosens cracked residues</li> </ul>   |
| <b>B.R.X 624</b>                   | <ul style="list-style-type: none"> <li>• aqueous high-performance cleaner</li> <li>• foam-free</li> <li>• neutral in smell</li> </ul>   | <ul style="list-style-type: none"> <li>• cleaning such as machine components, repair parts and gear elements in the washing machine</li> <li>• high-pressure cleaner</li> </ul>   |
| <b>B.W.K.<br/>B.W.K. Wipes Set</b> | <ul style="list-style-type: none"> <li>• enormous cleaning power</li> <li>• good dirt holding capacity</li> </ul>   | <ul style="list-style-type: none"> <li>• general surface cleaning</li> </ul>  |
| <b>B.W.S.<br/>B.W.S. Wipes Set</b> | <ul style="list-style-type: none"> <li>• good cleaning power</li> <li>• very good material compatibility</li> <li>• quick dry</li> </ul>  | <ul style="list-style-type: none"> <li>• general surface cleaning</li> </ul>  |
| <b>B.W.R. 180</b>                  | <ul style="list-style-type: none"> <li>• aqueous cleaning concentrate</li> <li>• universal in use</li> </ul>  | <ul style="list-style-type: none"> <li>• universal cleaning of machines, vehicles, floors and walls</li> </ul>  |
| <b>B.W.R. 210<br/>phosphatfrei</b> | <ul style="list-style-type: none"> <li>• aqueous low-foam cleaning concentrate</li> <li>• free of phosphates and chlorides</li> <li>• high level of cleaning power</li> </ul>         | <ul style="list-style-type: none"> <li>• cleaning gas turbines</li> <li>• cleaning stainless steel components without pitting formation</li> </ul>  |
| <b>B.W.X.</b>                      | <ul style="list-style-type: none"> <li>• water-based extreme cleaner</li> <li>• ready to use</li> <li>• biologically degradable</li> <li>• usable also at low temperatures</li> </ul> | <ul style="list-style-type: none"> <li>• removal of the most stubborn dirt of water-resistant surfaces</li> </ul>   |
| <b>M.T.X. 60 forte</b>             | <ul style="list-style-type: none"> <li>• ready-to-use hydrocarbon cleaner</li> <li>• intensive cleaning power</li> <li>• residue-free evaporation</li> </ul>                          | <ul style="list-style-type: none"> <li>• parts cleaner / electric cleaning*</li> <li>• removing oily and cracked residues</li> <li>• setting cable coupling boxes</li> <li>• cable cleaning/removing bitumen</li> </ul> |
| <b>M.T.X. Ultra</b>                | <ul style="list-style-type: none"> <li>• excellent cleaning power</li> <li>• economical and cost efficient</li> <li>• high work safety</li> </ul>                                     | <ul style="list-style-type: none"> <li>• removal of bitumen, corrosion protection wax and tar</li> <li>• cleaning and degreasing of metallic surfaces</li> </ul>  |
| <b>S.L.X. 500</b>                  | <ul style="list-style-type: none"> <li>• very fast and residue-free evaporation</li> <li>• very high dielectric strength</li> </ul>   | <ul style="list-style-type: none"> <li>• cleaning electrical components*</li> </ul>   |
| <b>S.L.X. Top</b>                  | <ul style="list-style-type: none"> <li>• medium-fast and residue-free evaporation</li> </ul>  | <ul style="list-style-type: none"> <li>• cleaning electrical components*. Not under voltage!</li> </ul>   |
| <b>S.U.W. Spray</b>                | <ul style="list-style-type: none"> <li>• excellent cleaning power</li> <li>• good material compatibility</li> <li>• residue free evaporation</li> </ul>                               | <ul style="list-style-type: none"> <li>• cleaning / degreasing of metallic surfaces</li> </ul>  |
| <b>O.C.X.</b>                      | <ul style="list-style-type: none"> <li>• highly efficient</li> <li>• non conductive</li> </ul>  | <ul style="list-style-type: none"> <li>• cleaning electrical components*</li> </ul>   |

## Corrosion protection

Rivolta®-corrosion protection products are needed when you want to protect machines or component parts over a longer period of time, for instance with long-term preservation/standstill preservation, intermediate/final preservation and outside storage.

| Product                   | Features  | Application areas   |
|---------------------------|---|---|
| <b>K.S.P. 312 N Spray</b> | <ul style="list-style-type: none"> <li>• corrosion protection spray</li> <li>• wax-like protective film</li> <li>• improved grip</li> </ul> | <ul style="list-style-type: none"> <li>• preserving metallic surfaces</li> <li>• standstill preservation</li> </ul> |
| <b>K.S.P. 317</b>         | <ul style="list-style-type: none"> <li>• corrosion protection wax</li> <li>• long protective effect</li> <li>• improved grip</li> </ul>     | <ul style="list-style-type: none"> <li>• preserving metallic surfaces</li> <li>• standstill preservation</li> </ul> |

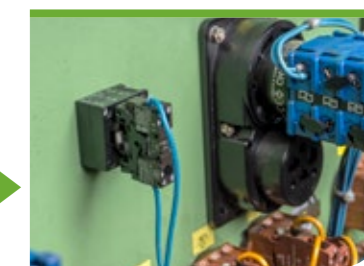
You can find information on electrical wet cleaning (such as control cubicles) in our separate brochure



Before cleaning

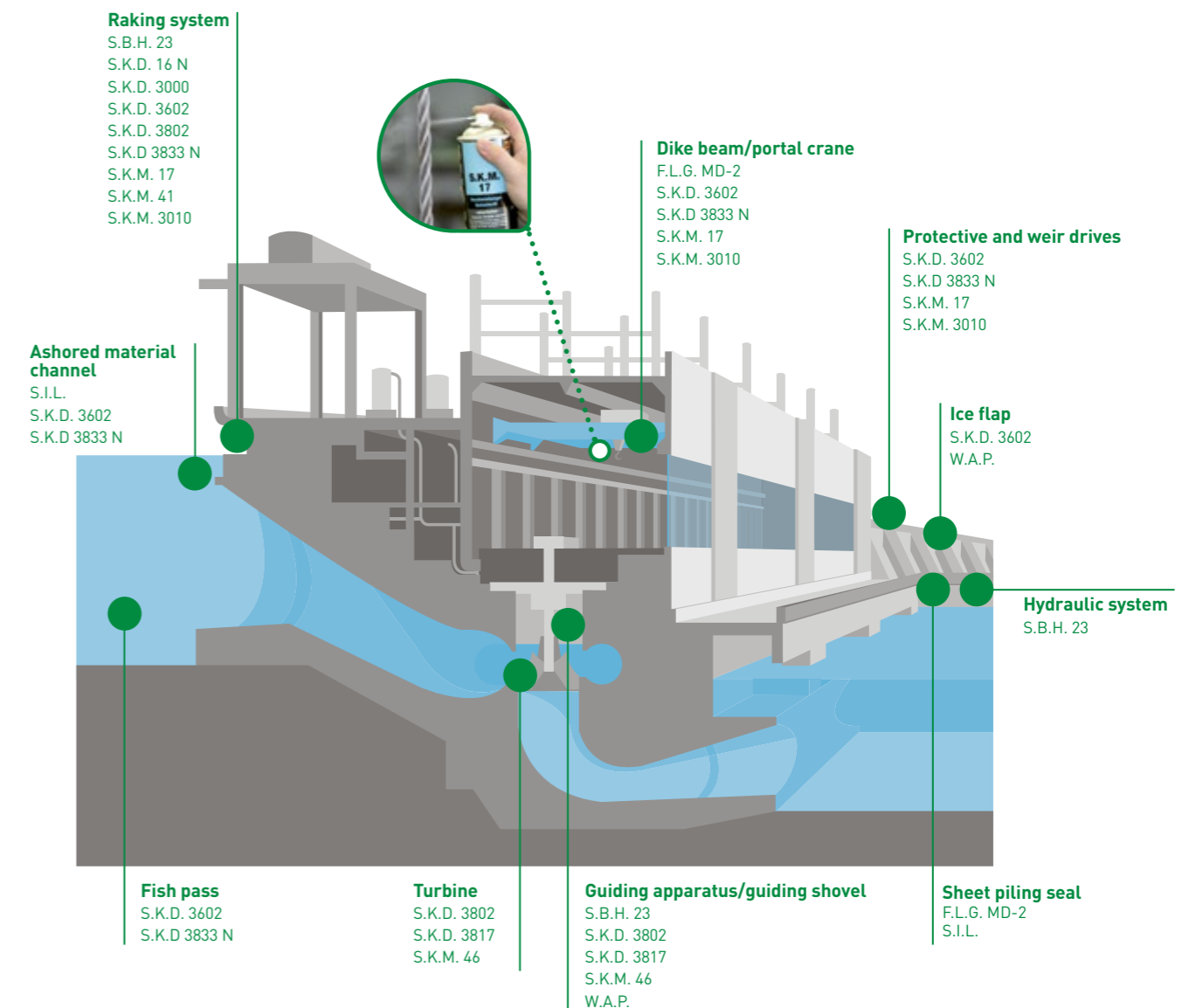


After cleaning



# Typical product applications

This diagram only shows a simplified product overview. Further products can be found on the following pages. Please contact us directly to find the right product for your specific application.



## Hydropower

In the hydropower sector, the biodegradability and rapid degradability of the products used is an important criterion, as there is a risk of lubricants being released into the environment. For use in ecologically sensitive areas, special lubricants are also required by law to protect the environment. We offer tailor-made, highly biodegradable products that can be used in these areas without any restriction.

### General cleaning applications:

**Electro cleaning**  
S.L.X. 500  
S.L.X. Top

**Rapid degreasing**  
S.U.W. Spray

**Graffiti cleaner**  
S.E.G. Spray

**General surface cleaning**  
B.W.K. / B.W.K. Tücher Set  
B.W.S. / B.W.S. Tücher Set  
B.W.X.

## Lubricants

Rivolta®-Lubricants are high-performance synthetic lubricants from a combination of high-quality basic oils in connection with a high-performance additive package. That gives our products a performance range that is head and shoulders above traditional greases.

| Product                 | Features   | Application areas   |
|-------------------------|--|---|
| <b>F.L.G. MD-2</b>      | <ul style="list-style-type: none"> <li>completely synthetic silicon grease</li> <li>water repellent</li> <li>very good long-term lubricant</li> </ul>                    | <ul style="list-style-type: none"> <li>anti-seize and maintenance agent for e.g. seals, O-rings and collars</li> </ul>                                      |
| <b>S.K.D 16 N</b>       | <ul style="list-style-type: none"> <li>good penetration capacity</li> <li>load-carrying lubricant film</li> </ul>  | <ul style="list-style-type: none"> <li>inside chain and rope lubrication</li> <li>joint lubrication</li> </ul>  |
| <b>S.K.D. 3000</b>      | <ul style="list-style-type: none"> <li>very good corrosion protection</li> </ul>   | <ul style="list-style-type: none"> <li>outside chain and rope lubrication</li> </ul>  |
| <b>S.K.D. 3602</b>      | <ul style="list-style-type: none"> <li>ree of solids</li> <li>water resistant</li> <li>adherent</li> <li>ageing- and oxidation-resistant</li> </ul>                      | <ul style="list-style-type: none"> <li>bearings, joints, bolts, steering racks and lifting spindles in outside or inside wet areas</li> </ul>               |
| <b>S.K.D. 3802</b>      | <ul style="list-style-type: none"> <li>biologically degradable</li> <li>very water resistant</li> <li>ageing- and oxidation-resistant</li> <li>NLGI 2</li> </ul>         | <ul style="list-style-type: none"> <li>turbines, bearings, rollers, spindles and bolts in areas sensitive to the environment</li> </ul>                     |
| <b>S.K.D. 3833 N</b>    | <ul style="list-style-type: none"> <li>biologically degradable</li> <li>very water resistant</li> </ul>  | <ul style="list-style-type: none"> <li>joints, bolts, bearings, gears and racks</li> </ul>  |
| <b>S.K.D. 3817</b>      | <ul style="list-style-type: none"> <li>biologically degradable</li> <li>very water resistant</li> <li>ageing- and oxidation-resistant</li> <li>NLGI 1</li> </ul>         | <ul style="list-style-type: none"> <li>turbines, bearings, rollers, spindles and bolts in areas sensitive to the environment</li> </ul>                     |
| <b>W.A.P.</b>           | <ul style="list-style-type: none"> <li>contains solid lubricants</li> <li>pressure resistant</li> <li>extremely water resistant</li> </ul>                               | <ul style="list-style-type: none"> <li>screws under water</li> <li>adjusting drives in areas with a high level of water pollution</li> </ul>                |
| <b>S.B.H. 23</b>        | <ul style="list-style-type: none"> <li>biologically degradable</li> <li>very resistant to oxidation</li> <li>ISO VG 46</li> </ul>  | <ul style="list-style-type: none"> <li>ack system</li> <li>adjusting water feed</li> <li>hydraulic systems in areas sensitive to the environment</li> </ul> |
| <b>S.I.L. Spray</b>     | <ul style="list-style-type: none"> <li>silicon spray</li> <li>maintains and protects</li> <li>head and cold resistant</li> <li>water resistant</li> </ul>                | <ul style="list-style-type: none"> <li>seal for the sheet piling</li> </ul>   |
| <b>S.K.M. 17</b>        | <ul style="list-style-type: none"> <li>biologically degradable</li> <li>not hazardous to water</li> <li>prevents corrosion</li> <li>good penetration capacity</li> </ul> | <ul style="list-style-type: none"> <li>inside chain/rope lubrication in areas sensitive to the environment</li> </ul>                                       |
| <b>S.K.M. 41/46/121</b> | <ul style="list-style-type: none"> <li>biologically degradable</li> <li>ageing- and oxidation-resistant</li> <li>ISO VG 68/100/220</li> </ul>                            | <ul style="list-style-type: none"> <li>gear lubrication in areas sensitive to the environment</li> </ul>  |
| <b>S.K.M. 3010</b>      | <ul style="list-style-type: none"> <li>biologically degradable</li> <li>extremely adhesive</li> <li>water resistant</li> <li>prevents corrosion</li> </ul>               | <ul style="list-style-type: none"> <li>outside chain/cable lubrication in areas sensitive to the environment</li> </ul>                                     |

## Cleaner

Rivolta®-cleaners are special state-of-the-art products based on aqueous components and/or those containing hydrocarbons. Their hallmark is formidable cleaning performance and a high level of economic efficiency in their area of application. Using them spells out occupational safety and maximum environmental protection.

| Product                            | Features  | Applications areas  |
|------------------------------------|---|---|
| <b>B.W.K.<br/>B.W.K. Wipes Set</b> | <ul style="list-style-type: none"> <li>biologically degradable</li> <li>enormous cleaning power</li> <li>good dirt holding capacity</li> </ul>  | <ul style="list-style-type: none"> <li>general surface cleaning</li> </ul>                                      |
| <b>B.W.S.<br/>B.W.S. Wipes Set</b> | <ul style="list-style-type: none"> <li>biologically degradable</li> <li>very good material compatibility</li> <li>quick dry</li> </ul>  | <ul style="list-style-type: none"> <li>general surface cleaning</li> </ul>                                      |
| <b>B.W.R. 180</b>                  | <ul style="list-style-type: none"> <li>aqueous cleaning concentrate</li> <li>universal in use</li> <li>biologically degradable</li> </ul>   | <ul style="list-style-type: none"> <li>universal cleaning of machines, vehicles, floors and walls</li> </ul>    |
| <b>B.W.X.</b>                      | <ul style="list-style-type: none"> <li>water-based extreme cleaner</li> <li>ready to use</li> <li>biologically degradable</li> <li>usable also at low temperatures</li> </ul>           | <ul style="list-style-type: none"> <li>removal of the most stubborn dirt of water-resistant surfaces</li> </ul> |
| <b>S.E.G. Spray</b>                | <ul style="list-style-type: none"> <li>removes laquer-, colour- and marker-graffiti</li> <li>for smooth and non-absorbent surfaces</li> <li>very good material compatibility</li> </ul> | <ul style="list-style-type: none"> <li>removal of graffiti, tags and sticker</li> </ul>                         |
| <b>S.L.X. 500</b>                  | <ul style="list-style-type: none"> <li>very fast and residue-free evaporation</li> <li>very high dielectric strength</li> </ul>   | <ul style="list-style-type: none"> <li>work under voltage possible</li> <li>slip ring cleaning</li> </ul>       |
| <b>S.L.X. Top</b>                  | <ul style="list-style-type: none"> <li>medium-fast and residue-free evaporation</li> </ul>  | <ul style="list-style-type: none"> <li>cleaning of generator and transformers<br/>Not under voltage!</li> </ul> |
| <b>S.U.W. Spray</b>                | <ul style="list-style-type: none"> <li>fast and residue-free evaporation</li> <li>mild odour</li> </ul>   | <ul style="list-style-type: none"> <li>rapid cleaner</li> </ul>   |

## Biodegradable oils & greases

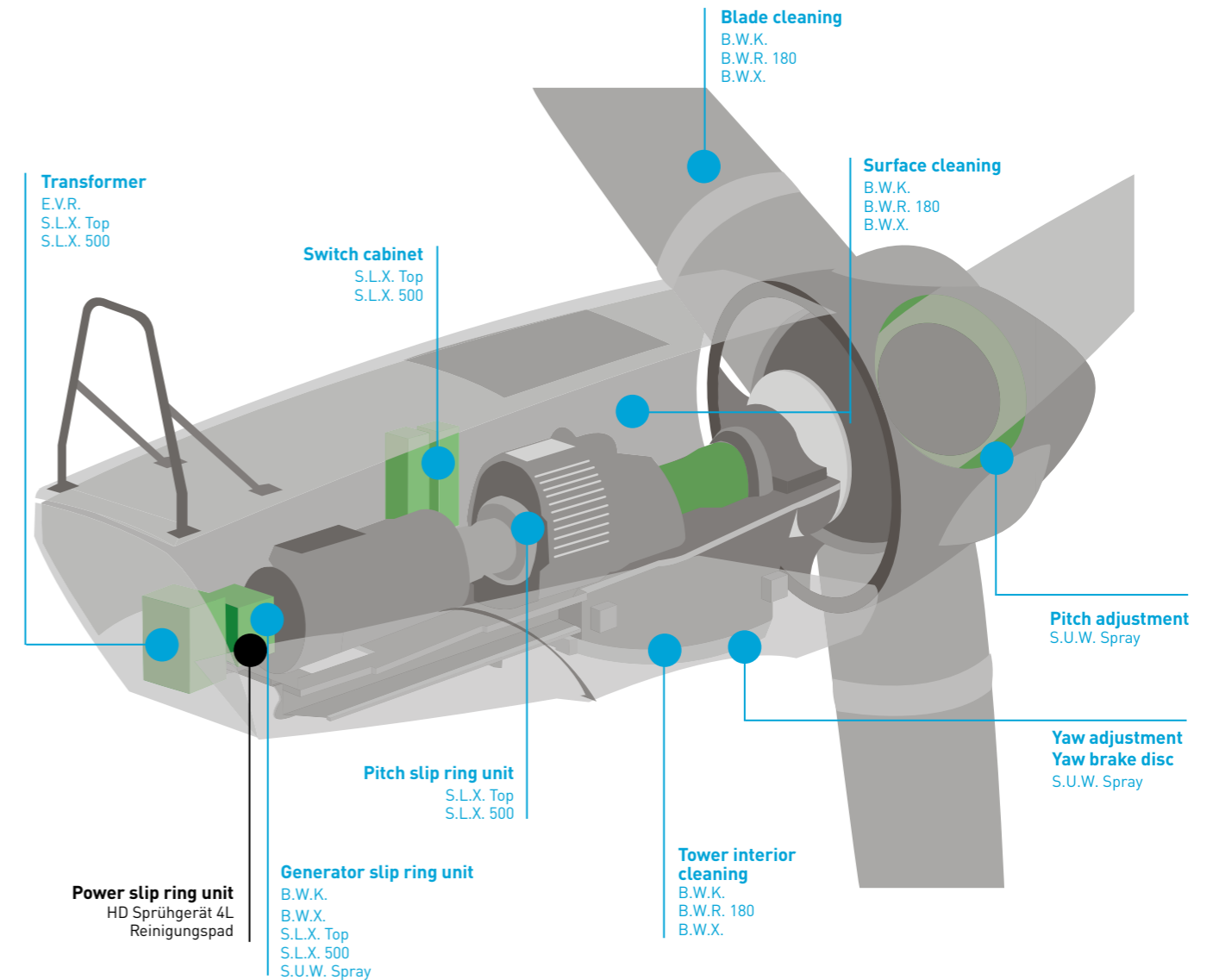
In sensitive areas, the biodegradability of additives is an important criterion for their use. Sustainable ingredients are also becoming increasingly important in the area of lifts and escalators. At Bremer & Leguil, it has always been important to us to make the formulations of our products as user and environmentally friendly and as modern as possible. The biodegradability is confirmed according to OECD 301 B.





# Typical product applications

This diagram only shows a simplified product overview. Further products can be found on the following pages. Please contact us directly to find the right product for your specific application.



## General application:

**Electrical connections**  
F.L.G. GT Spray  
S.K.D. 4002

**Maintenance of seals**  
S.I.L. Spray

## Wind power

Today, the number of wind farms, both onshore and offshore, is growing rapidly. Not only is the industry growing, but so are the challenges of such facilities. Bremer & Leguil offers special cleaners and lubricants for the wind energy sector that provide high technical performance and high yields for the individual components, thereby reducing maintenance work and costs.

## Cleaner

Rivolta®-cleaners are special state-of-the-art products based on aqueous components and/or those containing hydrocarbons. Their hallmark is formidable cleaning performance and a high level of economic efficiency in their area of application. Using them spells out occupational safety and maximum environmental protection.

| Product             | Features  | Application areas   |
|---------------------|---|---|
| <b>B.W.K.</b>       | <ul style="list-style-type: none"> <li>ready to use cleaning product</li> <li>biodegradable</li> <li>best result with the foam sprayer</li> </ul>   | <ul style="list-style-type: none"> <li>cleaning of covering and housing surfaces, rotor blades and grid plates</li> <li>removing mould in the tower</li> </ul>  |
| <b>B.W.R. 180</b>   | <ul style="list-style-type: none"> <li>aqueous cleaning concentrate</li> <li>biodegradable</li> <li>universally applicable</li> </ul>   | <ul style="list-style-type: none"> <li>cleaning of machine parts, spare parts, gear elements, etc. in washing machines</li> <li>high pressure cleaner</li> </ul>  |
| <b>B.W.X.</b>       | <ul style="list-style-type: none"> <li>ready to use cleaning product</li> <li>easily biodegradable</li> <li>can be used at up to -10 °C</li> <li>best result with the foam sprayer</li> </ul>                                   | <ul style="list-style-type: none"> <li>for the removing the most stubborn dirt from water-resistant surfaces</li> </ul>   |
| <b>S.U.W. Spray</b> | <ul style="list-style-type: none"> <li>especially developed for wind turbines</li> <li>low labelling under CLP</li> <li>mild odour</li> <li>sprayable upside down</li> </ul>  | <ul style="list-style-type: none"> <li>fast-acting degreaser</li> <li>removal of leaked bearing grease at the yaw and pitch adjustment</li> </ul>   |
| <b>E.V.R.</b>       | <ul style="list-style-type: none"> <li>compatible with metals, plastics, elastomers and solvent resistant lacquers</li> <li>approved by SGB</li> </ul>  | <ul style="list-style-type: none"> <li>pre-cleaning of cast resin transformer and switch cabinet</li> <li>dissolves contaminants from the environment such as sea salt, pollen</li> </ul>                   |
| <b>N.W.E. 100</b>   | <ul style="list-style-type: none"> <li>high work safety</li> <li>user friendly</li> <li>slow evaporation</li> <li>mild odour</li> </ul>   | <ul style="list-style-type: none"> <li>removal of corrosion protection waxes and greases from metallic surfaces</li> </ul>  |
| <b>S.E.G. Spray</b> | <ul style="list-style-type: none"> <li>removes laquer-, colour-, marker-graffiti</li> <li>for smooth and non-absorbent surfaces</li> <li>very good material compatibility</li> </ul>  | <ul style="list-style-type: none"> <li>removal of graffiti</li> </ul>   |
| <b>S.L.X. 500</b>   | <ul style="list-style-type: none"> <li>does not affect the patina and carbon brushes</li> <li>fast and residue-free evaporation</li> <li>no flashing point</li> <li>approved by Mersen, Schunk, Cebes and GE Vernova</li> </ul> | <ul style="list-style-type: none"> <li>especially for the the cleaning of generator and pitch slip ring units</li> </ul>  |
| <b>S.L.X. Top</b>   | <ul style="list-style-type: none"> <li>medium-fast, residue-free evaporation</li> <li>very high puncture-proof</li> <li>approved by SGB, Elin, Siemens</li> </ul>   | <ul style="list-style-type: none"> <li>cleaning of electrical components e.g. the slip rings, insulating section and transformer</li> <li>cleaning of switch cabinet</li> <li>Not under voltage!</li> </ul> |

## Lubricants

Rivolta®-Lubricants are high-performance synthetic lubricants from a combination of high-quality basic oils in connection with a high-performance additive package. That gives our products a performance range that is head and shoulders above traditional greases.

| Product                | Features  | Application areas  |
|------------------------|---|--|
| <b>F.L.G. GT Spray</b> | <ul style="list-style-type: none"> <li>prevents oxidation</li> <li>optimum corrosion protection</li> <li>low contact resistance</li> <li>approved by Enercon</li> </ul> | <ul style="list-style-type: none"> <li>improving contacting on generator and earthing connections</li> </ul>   |
| <b>S.I.L. Spray</b>    | <ul style="list-style-type: none"> <li>excellent maintenance properties</li> <li>prevents dirt adhesion</li> <li>efficient application via spray can</li> </ul>         | <ul style="list-style-type: none"> <li>maintenance of rubber and plastics such as seals of ceramic components at the transformer</li> </ul>  |
| <b>S.K.D. 4002</b>     | <ul style="list-style-type: none"> <li>water-resistant</li> <li>ageing- and oxidation-resistant</li> <li>no cracking</li> <li>good corrosion protection</li> </ul>      | <ul style="list-style-type: none"> <li>maintenance of terminal lugs at NH fuses</li> <li>contact lubrication of isolators, switches etc.</li> <li>bearing librication: electric motor, lubrication of mechanical components</li> </ul> |

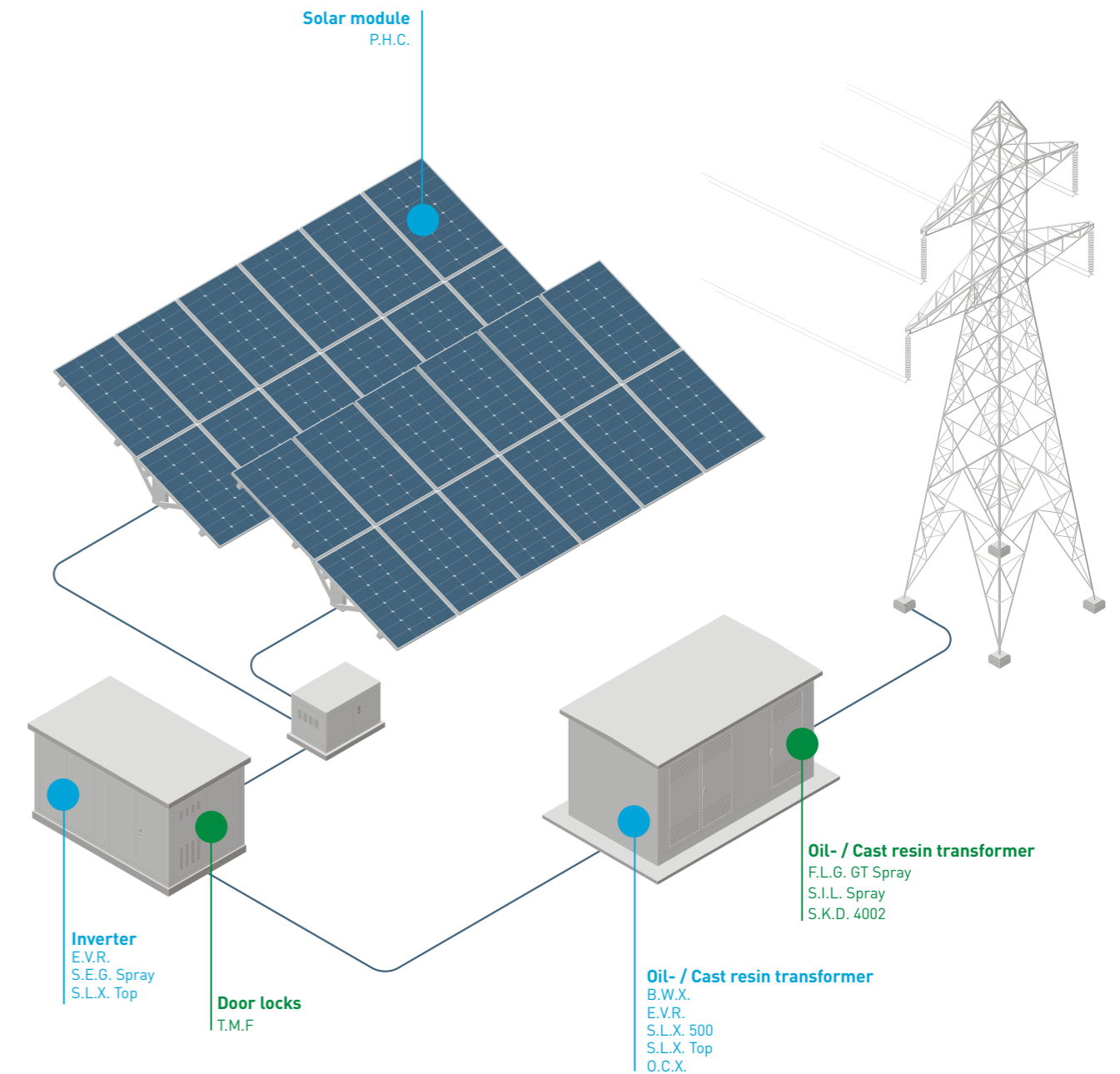
## Accessories

| Product                 | Features   | Application areas  |
|-------------------------|--|--|
| <b>HD Sprühgerät 4L</b> | <ul style="list-style-type: none"> <li>especially designed for wind turbines</li> <li>perfect dosage via nozzle</li> <li>compact build and bump resistant</li> </ul> | <ul style="list-style-type: none"> <li>cleaning of pitch slip ring unit</li> </ul>   |
| <b>Reinigungspad</b>    | <ul style="list-style-type: none"> <li>special cleaning fleece</li> <li>should be soaked with cleaning liquids</li> </ul>  | <ul style="list-style-type: none"> <li>cleaning of insulating section, metal and copper components as well as ceramic components at the transformer</li> </ul> |
| <b>Schaumsprüher</b>    | <ul style="list-style-type: none"> <li>factory-fitted special nozzle produces stable, active-cleaning foam</li> <li>with pressure release valve</li> </ul>           | <ul style="list-style-type: none"> <li>for processing of Rivolta B.W.X., B.W.K., B.W.R. 180 and E.V.R.</li> <li>cleaning of vertical surfaces etc.</li> </ul>  |



# Typical product applications

This diagram only shows a simplified product overview. Further products can be found on the following pages. Please contact us directly to find the right product for your specific application.



## Solar power

Clean solar panels are essential for optimum efficiency. We have developed a special cleaner that is unique on the market. Our **Rivolta P.H.C. photovoltaic cleaner** is economical, highly efficient, non-labelled, biodegradable, and proven to be material compatible. As the only supplier to date (as of 05/2024), our **P.H.C.** cleaner has been extensively tested and approved for material compatibility by the Fraunhofer Centre for Silicon Photovoltaics CSP.

In solar parks, the day/night cycle in the transformer houses causes a change in the climate and the formation of condensation. This favours the formation of pioneer plants and dirt deposits, which can lead to malfunctions and failures. This is where cleaning using the Rivolta method is recommended.

## P.H.C. photovoltaic cleaner

Our special cleaning agent **Rivolta P.H.C.** is a cost-effective, material-friendly, highly efficient and biodegradable cleaning concentrate which has been developed for the removal of dirt from photovoltaic systems. The combination of active ingredients reliably removes different kinds of dirt such as dust, soot, bird droppings, road dirt and other environmental deposits from photovoltaic modules.

**P.H.C.** is both user and environment friendly and is the first photovoltaic cleaning agent to be comprehensively tested for material compatibility by the Fraunhofer CSP Institute.

The **Rivolta P.H.C.** photovoltaic cleaner is suitable for both industrial and private users. The cleaning solution can be used on all systems – from solar parks to the roofs of private houses – using robots, brushes or sprayers.



## Convincing in practice

### Before/After comparison



At first we were sceptical, as far as the cleaner was concerned. But after we were able to test it for several days in really tough circumstances, a large array on a barn for dairy cows, I am now convinced by Rivolta P.H.C. and we will now be using it permanently. The cleaning performance is really tremendous and ideal for use with our robots. For this test, we dispensed with reverse osmosis water and used well water. The fact that it is tested by Fraunhofer CSP also gives us and our customers security in the use of it.”

Pascal Liebold, CEO sun-x GmbH



## Cleaner

Besides the cleaning of photovoltaic modules, we also offer further maintenance solutions. Our sales consultants can advise you on how the use of the right products can prolong the life of your components such as inverters, energy distributors, overvoltage components, transformers etc. We look forward to hearing from you.

| Product             | Features  | Application areas   |
|---------------------|---|---|
| <b>B.W.X.</b>       | <ul style="list-style-type: none"> <li>ready to use cleaning product</li> <li>easily biodegradable</li> <li>can be used at up to -10 °C</li> <li>best result with the foam sprayer</li> </ul> | <ul style="list-style-type: none"> <li>removal of most stubborn dirt off water resistant surfaces</li> </ul>  |
| <b>E.V.R.</b>       | <ul style="list-style-type: none"> <li>compatible with metals, plastics, elastomers and solvent-resistant colours</li> </ul>  | <ul style="list-style-type: none"> <li>pre-cleaning of cast resin transformer and switch cabinet</li> <li>dissolves contaminants from the environment such as sea salt, pollen</li> </ul> |
| <b>S.E.G. Spray</b> | <ul style="list-style-type: none"> <li>removes laquer-, colour-, marker-graffiti</li> <li>for smooth and non-absorbent surfaces</li> <li>very good material compatibility</li> </ul>          | <ul style="list-style-type: none"> <li>graffiti removal</li> </ul>  |
| <b>S.L.X. 500</b>   | <ul style="list-style-type: none"> <li>fast and residue-free evaporation</li> <li>high dielectric strength</li> </ul>   | <ul style="list-style-type: none"> <li>cleaning of electrical components e.g. insulating section and transformer</li> <li>cleaning of switch cabinet</li> </ul>                           |
| <b>S.L.X. Top</b>   | <ul style="list-style-type: none"> <li>intermediate and residue-free evaporation</li> </ul>   | <ul style="list-style-type: none"> <li>cleaning of transformers</li> <li>Not under voltage!</li> </ul>  |
| <b>O.C.X.</b>       | <ul style="list-style-type: none"> <li>highly effective</li> <li>non-conductive</li> </ul>  | <ul style="list-style-type: none"> <li>dissolves oxide and sulphide layers on all interfaces</li> </ul>   |

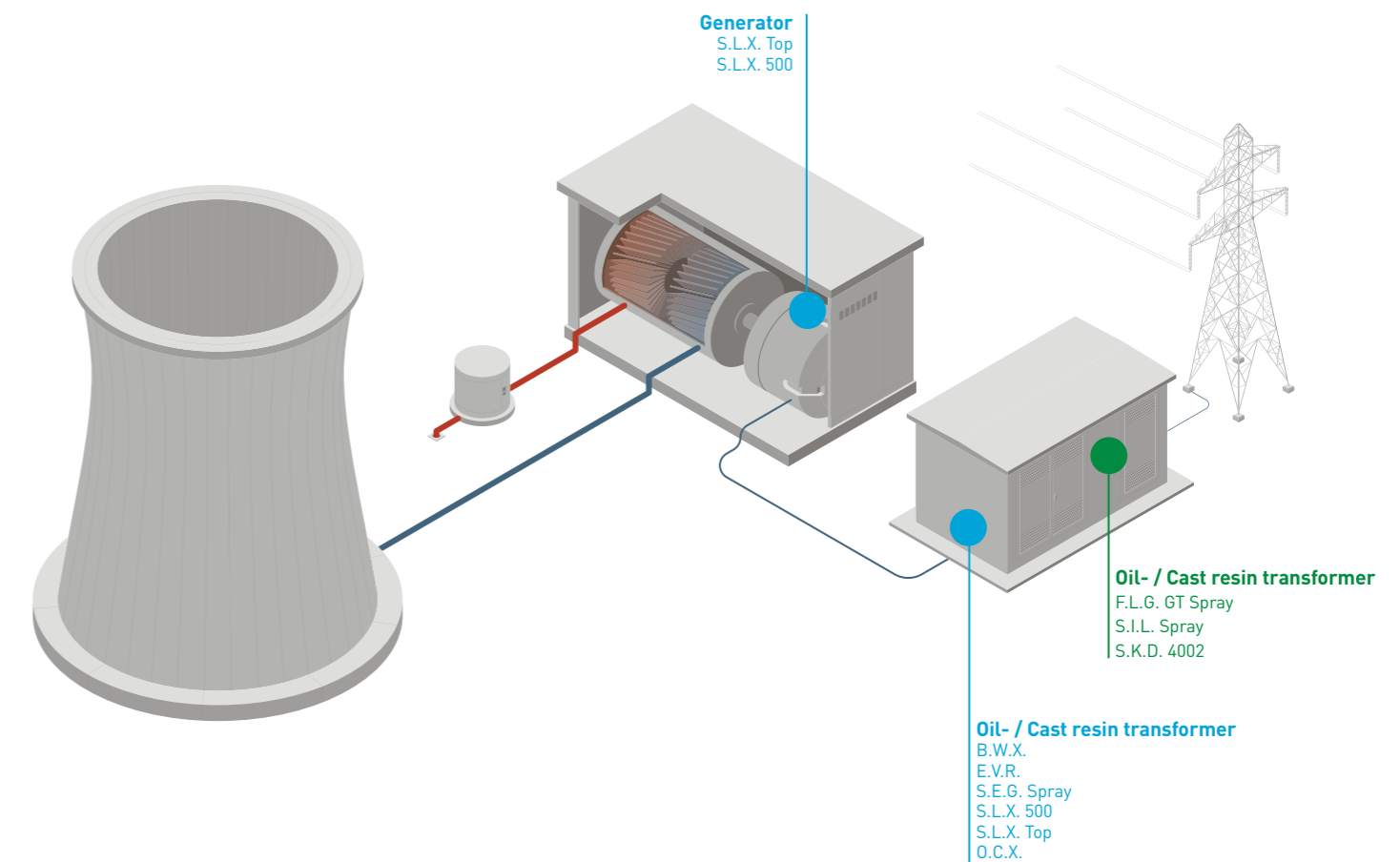
## Lubricants

| Product                | Features  | Application areas   |
|------------------------|---|---|
| <b>F.L.G. GT Spray</b> | <ul style="list-style-type: none"> <li>prevents oxidation</li> <li>optimum corrosion protection</li> <li>minimal transition resistance</li> </ul>                                       | <ul style="list-style-type: none"> <li>improves contact mode</li> <li>protects copper bars</li> </ul>   |
| <b>S.I.L. Spray</b>    | <ul style="list-style-type: none"> <li>excellent lubrication &amp; protection properties</li> <li>reduces the build-up of dirt</li> <li>efficient application with spray can</li> </ul> | <ul style="list-style-type: none"> <li>maintenance of rubber and plastic e.g. seals and ceramic components on transformers</li> </ul>               |
| <b>S.K.D. 4002</b>     | <ul style="list-style-type: none"> <li>water-resistant</li> <li>resistant against ageing and oxidation</li> <li>does not crack</li> <li>good corrosion protection</li> </ul>            | <ul style="list-style-type: none"> <li>maintenance of terminal lugs at NH fuses</li> <li>contact lubrication of isolators, switches etc.</li> </ul> |
| <b>T.M.F.</b>          | <ul style="list-style-type: none"> <li>biologically degradable</li> <li>ageing- and oxidation-resistant</li> <li>good corrosion protection</li> </ul>                                   | <ul style="list-style-type: none"> <li>maintenance of door locks</li> </ul>   |



## Typical product applications

This diagram only shows a simplified product overview. Further products can be found on the following pages. Please contact us directly to find the right product for your specific application.



## Power generation

The use of lubricants and cleaning products in power generation is an important aspect in ensuring the efficiency, safety, and longevity of the systems.

During operation, deposits such as soot, dust and other particles can build up in the generators. These deposits can reduce the efficiency of the generator and cause it to overheat. Industrial cleaners are used to effectively remove these deposits and ensure optimum generator performance. Specialist electrical cleaners remove dust and dirt without damaging sensitive components.

Lubricants are used to minimise friction between moving parts. This reduces wear and extends component life. In generators, the bearings, gears, and other moving parts rely on effective lubrication to operate smoothly.

## Lubricants

Rivolta®-Lubricants are high-performance synthetic lubricants from a combination of high-quality basic oils in connection with a high-performance additive package. That gives our products a performance range that is head and shoulders above traditional greases.

| Produkt                | Eigenschaften  | Einsatzbereiche   |
|------------------------|--|---|
| <b>F.L.G. GT Spray</b> | <ul style="list-style-type: none"> <li>prevents oxidation</li> <li>optimum corrosion protection</li> <li>minimal transition resistance</li> </ul>                            | <ul style="list-style-type: none"> <li>improves contact mode</li> <li>protects copper bars</li> </ul>   |
| <b>S.I.L. Spray</b>    | <ul style="list-style-type: none"> <li>excellent protection properties</li> <li>reduces the build-up of dirt</li> <li>efficient application with spray can</li> </ul>        | <ul style="list-style-type: none"> <li>maintenance of rubber and plastic e.g. seals and ceramic components on transformers</li> </ul>               |
| <b>S.K.D. 4002</b>     | <ul style="list-style-type: none"> <li>water-resistant</li> <li>resistant against ageing and oxidation</li> <li>does not crack</li> <li>good corrosion protection</li> </ul> | <ul style="list-style-type: none"> <li>maintenance of terminal lugs at NH fuses</li> <li>contact lubrication of isolators, switches etc.</li> </ul> |
| <b>T.M.F.</b>          | <ul style="list-style-type: none"> <li>biologically degradable</li> <li>ageing- and oxidation-resistant</li> <li>good corrosion protection</li> </ul>                        | <ul style="list-style-type: none"> <li>maintenance of door locks</li> </ul>   |



## Cleaner

Rivolta®-cleaners are special state-of-the-art products based on aqueous components and/or those containing hydrocarbons. Their hallmark is formidable cleaning performance and a high level of economic efficiency in their area of application. Using them spells out occupational safety and maximum environmental protection.

| Produkt             | Eigenschaften   | Einsatzbereiche   |
|---------------------|---|---|
| <b>B.W.X.</b>       | <ul style="list-style-type: none"> <li>ready to use cleaning product</li> <li>easily biodegradable</li> <li>can be used at up to -10 °C</li> <li>best result with the foam sprayer</li> </ul> | <ul style="list-style-type: none"> <li>removal of most stubborn dirt off water resistant surfaces</li> </ul>  |
| <b>E.V.R.</b>       | <ul style="list-style-type: none"> <li>compatible with metals, plastics, elastomers and solvent-resistant colours</li> </ul>  | <ul style="list-style-type: none"> <li>pre-cleaning of cast resin transformer and switch cabinet</li> <li>dissolves contaminants from the environment such as sea salt, pollen</li> </ul> |
| <b>S.E.G. Spray</b> | <ul style="list-style-type: none"> <li>removes laquer-, colour-, marker-graffiti</li> <li>for smooth and non-absorbent surfaces</li> <li>very good material compatibility</li> </ul>          | <ul style="list-style-type: none"> <li>graffiti removal</li> </ul>  |
| <b>S.L.X. 500</b>   | <ul style="list-style-type: none"> <li>fast and residue-free evaporation</li> <li>high dielectric strength</li> </ul>   | <ul style="list-style-type: none"> <li>cleaning of electrical components e.g. insulating section and transformer</li> <li>cleaning of switch cabinet</li> </ul>                           |
| <b>S.L.X. Top</b>   | <ul style="list-style-type: none"> <li>intermediate and residue-free evaporation</li> </ul>   | <ul style="list-style-type: none"> <li>cleaning of transformers</li> <li>Not under voltage!</li> </ul>  |
| <b>O.C.X.</b>       | <ul style="list-style-type: none"> <li>highly effective</li> <li>non-conductive</li> </ul>  | <ul style="list-style-type: none"> <li>dissolves oxide and sulphide layers on all interfaces</li> </ul>   |

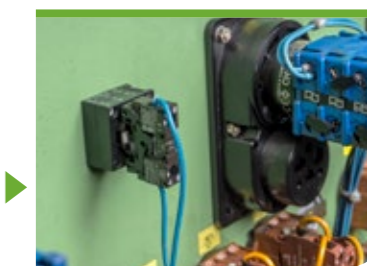
\* You can find information on electrical wet cleaning (such as control cubicles, slip rings, or transformers, etc.) in our separate brochure.



Before cleaning



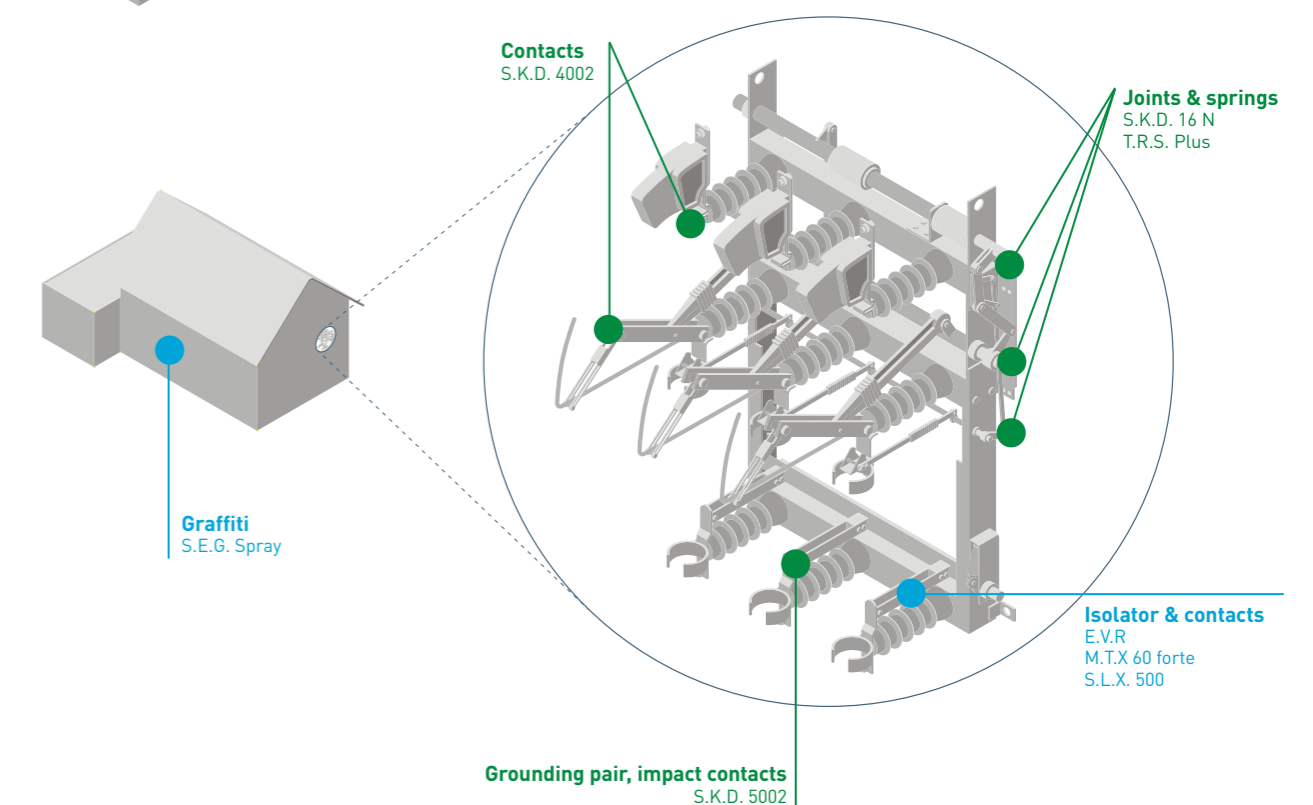
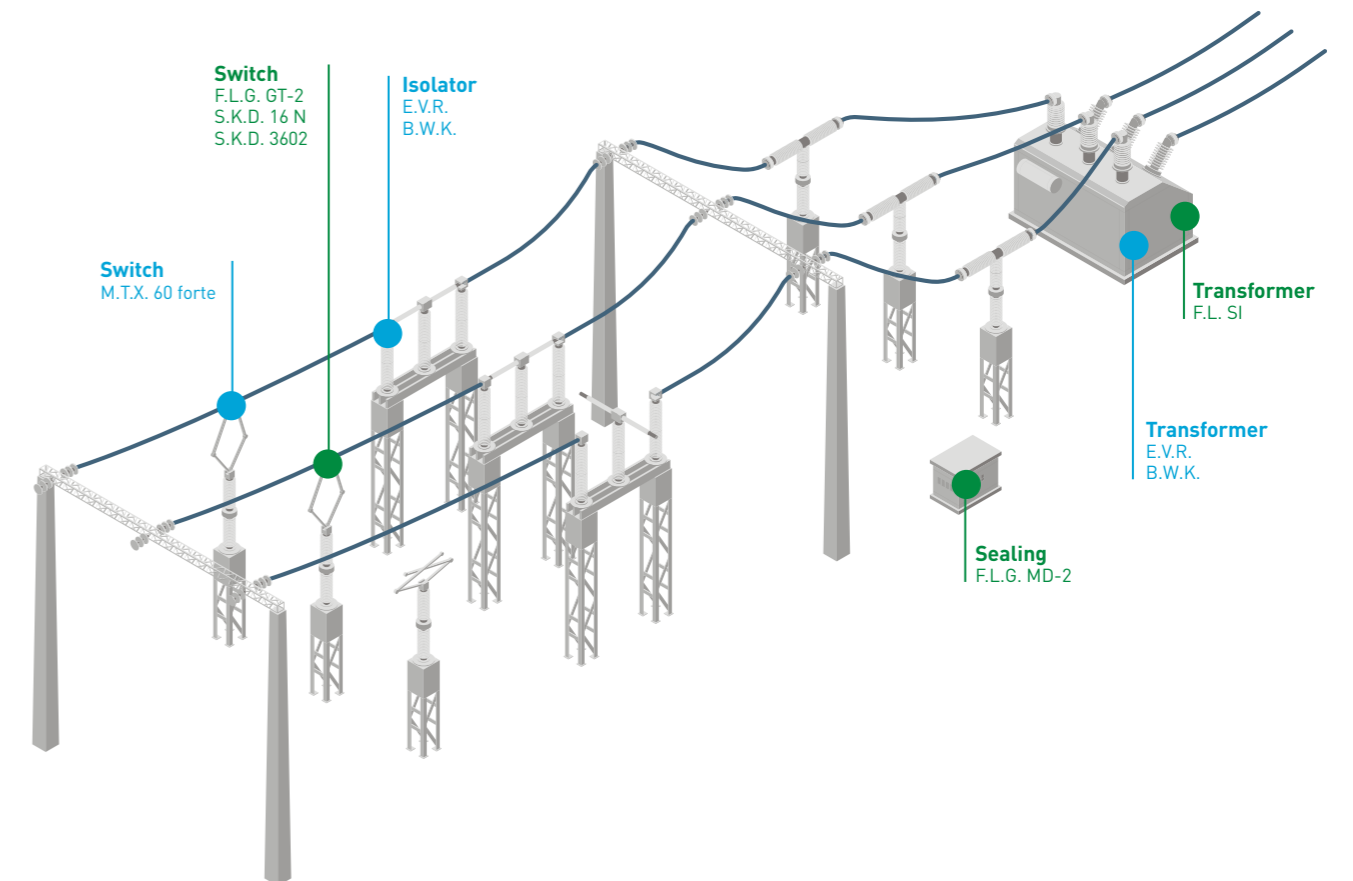
After cleaning





# Typical product applications

This diagram only shows a simplified product overview. Further products can be found on the following pages. Please contact us directly to find the right product for your specific application.



## Power grid

Lubricants and cleaners play a critical role in the function and longevity of isolators and disconnectors, particularly in power grids.

Lubricants can also help to improve electrical insulation by forming a protective layer that keeps out moisture and other contaminants. This is particularly important to prevent short circuits and other electrical problems.

The regular use of lubricants and cleaners makes it easier to maintain isolators and disconnectors. Well lubricated parts are easier to move and adjust, increasing the efficiency of maintenance operations and reducing downtime. The correct selection and application of maintenance products is therefore a key factor in the safe and efficient operation of power grids.

## Lubricating greases

Rivolta®-greases are high-performance synthetic lubricants from a combination of high-quality basic oils in connection with a high-performance additive package. That gives our products a performance range that is head and shoulders above traditional greases.

| Product            | Features   | Application areas   |
|--------------------|--|---|
| <b>F.L.G. GT-2</b> | <ul style="list-style-type: none"> <li>• excellent corrosion protection on silver- and aluminium contacts</li> <li>• good material compatibility with plastic</li> <li>• resistant against ageing and oxidation</li> </ul> | <ul style="list-style-type: none"> <li>• lubrication of contacts, gears, sliding surfaces, joints and lever connections, open joints or with grease nipple. Also for outdoor with direct waethering</li> </ul>  |
| <b>F.L.G. MD-2</b> | <ul style="list-style-type: none"> <li>• completely synthetic silicon grease</li> <li>• water repellent</li> <li>• very good long-term lubricant</li> </ul>  | <ul style="list-style-type: none"> <li>• maintenance of seals, lubrication of cable scraping tools</li> </ul>   |
| <b>S.K.D. 3602</b> | <ul style="list-style-type: none"> <li>• extremely compression-proof</li> <li>• free of solids</li> <li>• water resistant</li> <li>• adherent</li> <li>• ageing- and oxidation-resistant</li> </ul>                        | <ul style="list-style-type: none"> <li>• lubrication of contacts, gears, sliding surfaces, joints and lever connections, open joints or with grease nipple. Also for outdoor with direct waethering</li> </ul>  |
| <b>S.K.D. 4002</b> | <ul style="list-style-type: none"> <li>• temperature application range -50 °C to +210 °C</li> <li>• ageing- and oxidation-resistant</li> <li>• no cracking</li> <li>• good corosion protection</li> </ul>                  | <ul style="list-style-type: none"> <li>• lubrication of contacts and bearings (only inside)</li> </ul>  |
| <b>S.K.D. 5002</b> | <ul style="list-style-type: none"> <li>• temperature application range to +260 °C</li> <li>• resistant to water, hot steam, acids and lyes</li> </ul>  | <ul style="list-style-type: none"> <li>• lubrication of grounding pairs and impact contacts. Contact surfaces of circuit breaking pairs at outside circuite breaks. Flange surfaces at SF6-switches.</li> </ul> |

## Lubricating oils

Rivolta®-oils are high-performance totally synthetic lubricants from a combination of high-quality basic oils in connection with a high-performance additive package. That gives our products a performance range that is head and shoulders above traditional oils.

| Product            | Features  | Application areas   |
|--------------------|---|---|
| <b>F.L. SI</b>     | <ul style="list-style-type: none"> <li>• excellent maintenance and protection properties</li> </ul>                                 | <ul style="list-style-type: none"> <li>• barrier oil for the aeration component at large transformer, maintenance of isolator</li> </ul>                            |
| <b>S.K.D. 16 N</b> | <ul style="list-style-type: none"> <li>• load-carrying lubricant film</li> <li>• reduces friction</li> <li>• no cracking</li> </ul> | <ul style="list-style-type: none"> <li>• switch mechanism, chains, ropes, joints and bolts</li> </ul>   |
| <b>T.R.S. Plus</b> | <ul style="list-style-type: none"> <li>• rust dissolving</li> <li>• high penetration capacity</li> </ul>                            | <ul style="list-style-type: none"> <li>• loosening of fixed parts, lubrication of fine mechanical switch segments, measuring tools, cylinder locks, etc.</li> </ul> |

## Cleaner

Rivolta®-cleaners are special state-of-the-art products based on aqueous components and/or those containing hydrocarbons. Their hallmark is formidable cleaning performance and a high level of economic efficiency in their area of application. Using them spells out occupational safety and maximum environmental protection.

| Product                | Features  | Application areas  |
|------------------------|---|--|
| <b>E.V.R.</b>          | <ul style="list-style-type: none"> <li>• compatible with metals, plastics, elastomers and solvent-resistant colours</li> </ul>  | <ul style="list-style-type: none"> <li>• cleaning of isolator and transformer, pre-cleaning of stubborn dirt like smoke, sooth, mice feaces</li> </ul>   |
| <b>B.W.K.</b>          | <ul style="list-style-type: none"> <li>• ready to use cleaning product</li> <li>• easily biodegradable</li> <li>• best result with the foam sprayer</li> </ul>                                | <ul style="list-style-type: none"> <li>• cleaning of isolator and transformer</li> </ul>   |
| <b>M.T.X. 60 forte</b> | <ul style="list-style-type: none"> <li>• reapid evaporation</li> <li>• special cleaning receipe</li> </ul>  | <ul style="list-style-type: none"> <li>• cleaning of contacs with most subborn dirt (sticky, resin, etc.), cables, end of cable connection</li> </ul>  |
| <b>S.E.G. Spray</b>    | <ul style="list-style-type: none"> <li>• removes laquer-, colour- and marker-graffiti</li> <li>• for smooth and non-absorbent surfaces</li> <li>• very good material compatibility</li> </ul> | <ul style="list-style-type: none"> <li>• graffiti removal</li> </ul>   |
| <b>S.L.X. 500</b>      | <ul style="list-style-type: none"> <li>• fast and residue-free evaporation</li> <li>• high dilectric strength</li> </ul>  | <ul style="list-style-type: none"> <li>• can be used for electrical parts and machines under voltage e.g. switch cabinets, relais, protection and signalling switches</li> </ul>                                     |
| <b>S.L.X. Top</b>      | <ul style="list-style-type: none"> <li>• medium fast and residue-free evaporation</li> </ul>  | <ul style="list-style-type: none"> <li>• contact cleaning. Cleaning of electrical and mechanic parts, switch cabinets, transformer, generator, electrical motors, data slip rings etc. Not under voltage!</li> </ul> |
| <b>O.C.X.</b>          | <ul style="list-style-type: none"> <li>• highly effective</li> <li>• non-conductive</li> </ul>  | <ul style="list-style-type: none"> <li>• dissolves oxide and sulphide layers on all interfaces</li> </ul>  |
| <b>W.S.X.</b>          | <ul style="list-style-type: none"> <li>• long lasting moisture protection</li> <li>• high dilectric strength</li> </ul>   | <ul style="list-style-type: none"> <li>• prevents moisture defaults</li> <li>• represses water / moisture during electrical restoration work</li> </ul>  |



# Packaging overview\*

## Lubrication

| Product   | Application areas  |
|---|--|
| <b>F.L.G. GT-2</b><br><b>F.L.G. GT Spray</b><br>Multi-temperature grease<br>        | High-performance grease for special requirements   |
| <b>F.L.G. MD-2</b><br>Silicone grease<br>   | High-performance silicon grease with a variety of applications   |
| <b>F.L. SI</b><br>Silicone oil<br>  | Wide operative temperature range, excellent maintenance and protection properties  |
| <b>G.W.F.</b><br>Anti-seize-agent and lubricant<br>                                 | Assembly paste for separating metallic friction partners (such things as connections or screws under great thermal stress) |
| <b>S.B.H. 23</b><br>Synthetic biodegradable hydraulic oil<br>                       | Wide temperature application range, ISO VG 46  |
| <b>S.I.L. Spray</b><br>Silicone oil<br>   | The multi-functional silicon spray   |
| <b>S.K.D. 16 N</b><br>Synthetic inside bearing lubricant<br>                        | For lubricating mechanical connections such as levers, joints, cables and chains   |
| <b>S.K.D. 3000</b><br>Synthetic adhesive chain lubricant<br>                        | Extremely adhesive lubricant for the outer section and for extreme requirements, also for O- and X-ring chains             |
| <b>S.K.D. 3602 / S.K.D. 3602 Spray</b><br>High-pressure high-performance grease<br> | Extremely adhering and weather-resistant contact grease for outside  |
| <b>S.K.D. 3802</b><br>Ecological multi-purpose lubricant<br>                        | NLGI class 2 grease  |
| <b>S.K.D. 3817</b><br>Biodegradable turbine bearing lubricant<br>                   | NLGI class 1 grease  |
| <b>S.K.D. 3833 N</b><br>Biodegradable high-pressure grease<br>                      | For highly loaded roller and plain bearings in ecological systems  |
| <b>S.K.D. 4002</b><br>High-temperature, high-performance grease<br>                 | Ageing-resistant and completely synthetic contact grease for inside  |

|  |   |
|--|---|
| <b>S.K.D. 5002</b><br>Highest temperature grease<br>         | Maximum temperature grease on a fluoride oil basis with maximum thermal and excellent media resistance contact greasing |
| <b>S.K.M. 17</b><br>Synthetic high-performance oil<br>       | Lubricating oil for chains, cables, roller/friction bearings and hydraulics; oxidation resistant ISO VG 22              |
| <b>S.K.M. 41</b><br>Synthetic high-performance oil<br>       | Circulating oils for chains, roller/friction bearings and hydraulics, ISO VG 68   |
| <b>S.K.M. 46</b><br>Synthetic high-performance oil<br>       | Circulating oils for chains, roller/friction bearings and hydraulics, ISO VG 100  |
| <b>S.K.M. 3010 Spray</b><br>Synthetic adhesive lubricant<br> | High performance adhesive lubricant spray for chains and rope lubrication in environmentally sensitive areas            |
| <b>T.M.F.</b><br>Ecological multi-purpose lubricant<br>      | Biodegradable multi-purpose lubricant   |
| <b>T.R.S. Plus</b><br>Synthetic penetrating fluid<br>        | Cleaning and maintenance of plastic and stainless steel surfaces as well as multi-purpose creep oil                     |
| <b>W.A.P.</b><br>High-performance paste<br>                  | Assembly and screw paste, comb modules & feather key for motor gearboxes  |

## Corrosion protection

| Product   | Application areas   |
|---|---|
| <b>K.S.P. 312 N Spray</b><br>Corrosion protection wax spray<br> | Fast and effective temporary long-term corrosion protection in aerosol form |
| <b>K.S.P. 317</b><br>Corrosion protection wax<br>               | High yield corrosion protection wax with a wide range of applications       |



\*The shown packaging sizes are our standard.

Special types of packagings and sizes are available upon request.

# Cleaning

| Product   | Application areas   |
|---|---|
| <b>A.C.S. 3 Spray</b><br>Highly effective rapid evaporating cleaner<br>  | Universally applicable cleaning spray   |
| <b>B.R.X. 624</b><br>Water-based high-performance cleaner<br>            | Powerful low-foam high-performance cleaner for dissolving stubborn soiling. Suited to spray water systems and high-pressure cleaner   |
| <b>B.W.K.</b><br>Water-based power cleaner<br>                           | Removal of stubborn soiling from water-resistant surfaces, grease, pastes, oils, wax residues  |
| <b>B.W.K. Tücher Set</b><br>Wipes<br>                                    |    |
| <b>B.W.R. 180</b><br>Cleaning concentrate<br>                            | Non-material-destructive, especially for use in moving cleaning systems                        |
| <b>B.W.R. 210 phosphatfrei</b><br>Low-foaming degreasing concentrate<br> | Non-material-destructive, separator friendly, especially for use in moving cleaning systems   |
| <b>B.W.S.</b><br>Finish-cleaner<br>                                     | During commissioning and assembly of systems and equipment, cleaning of lift cabins, balustrades, stainless steel and plastic surfaces, machine elements, tools                   |
| <b>B.W.S. Tücher Set</b><br>Wipes<br>                                  |   |
| <b>B.W.X.</b><br>Xtreme cleaner<br>                                    | For removing the most stubborn dirt from water-resistant surfaces                            |
| <b>E.V.R.</b><br>Electro pre-cleaner<br>                               | Water based pre-cleaner. Can be used at electrical switch cabinets/devices, components, housings and surfaces   |
| <b>M.T.X. 60 forte</b><br>Intensive cleaner<br>                        | Intensive cleaner with special reinforced cleaning and fast evaporation   |
| <b>M.T.X. Ultra</b><br>Power cleaner<br>                               | Highly efficient cleaner for removal of greases, corrosion protection waxes, oils, graffiti, tar and other contaminations   |
| <b>N.W.E. 100</b><br>Corrosion protection cleaner<br>                  | Especially for wax  |
| <b>O.C.X.</b><br>Oxide remover<br>                                     | Pre-cleaner for dissolving oxide and sulphide layers on contacts, etc.  |
| <b>P.H.C.</b><br>Photovoltaic cleaner<br>                              | Biodegradable cleaning concentrate   |

|   |   |
|---|---|
| <b>S.E.G. Spray</b><br>Graffiti remover<br>  | Removes paint, colour and felt-tip pen graffiti, gentle on materials and surfaces. For smooth, non-absorbent surfaces |
| <b>S.L.X. 500</b><br>Special safety cleaner<br>  | For cleaning highly sensitive electronic systems, components and devices under voltage                                |
| <b>S.L.X. Top</b><br>High-performance electro cleaner<br>                              | Use on de-energised electrical and electronic systems, components and devices. Not under voltage!                     |
| <b>S.U.W. Spray</b><br>Special cleaner for wind power stations & industrial plants<br> | Classic spray cleaner for degreasing components and preparing bonding points  |
| <b>W.S.X.</b><br>Moisture protection<br>   | Protection for all electrical and electronic parts  |



\*The shown packaging sizes are our standard. Special types of packagings and sizes are available upon request.

You will find further information about us and our sectors on our webpage.  
[www.bremer-leguil.de](http://www.bremer-leguil.de)

Visit us on our social media channels.



Publisher and Copyright:

Bremer & Leguil GmbH  
Am Burgacker 30 - 42  
47051 Duisburg, Germany  
Local first instance court Duisburg, Germany  
Certification of registration 932

Reprints, total or in part, are permitted only prior consultation with Bremer & Leguil GmbH and if source is indicated and voucher copy is forwarded.

This brochure facts and statements and is determined with our best knowledge and will be checked continuously. These statements are depending - among other reasons - on experiences gained in the industry. We only pass them on without liability. Before using our products you should test the applicability and you should convince yourself about the satisfactory performance. We are specialized in developing products for extreme tribological problems in cooperation with end users. Bremer & Leguil provides service and individual advice. Please contact us.

Product illustrations partly consist of picture compositions and therefore, do not necessarily reflect the reality. Our products are continually being up-dated. We reserve the right, therefore, to alter the information of this brochure at any time and without prior announcement.

**Bremer & Leguil GmbH**

Am Burgacker 30-42 • 47051 Duisburg • Germany  
Tel. +49 (0) 203 99 23-0 • Fax +49 (0) 203 2 59 01